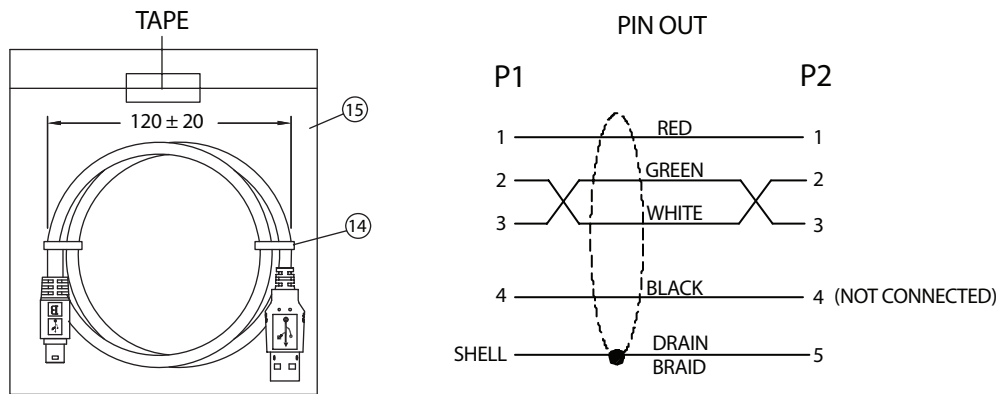
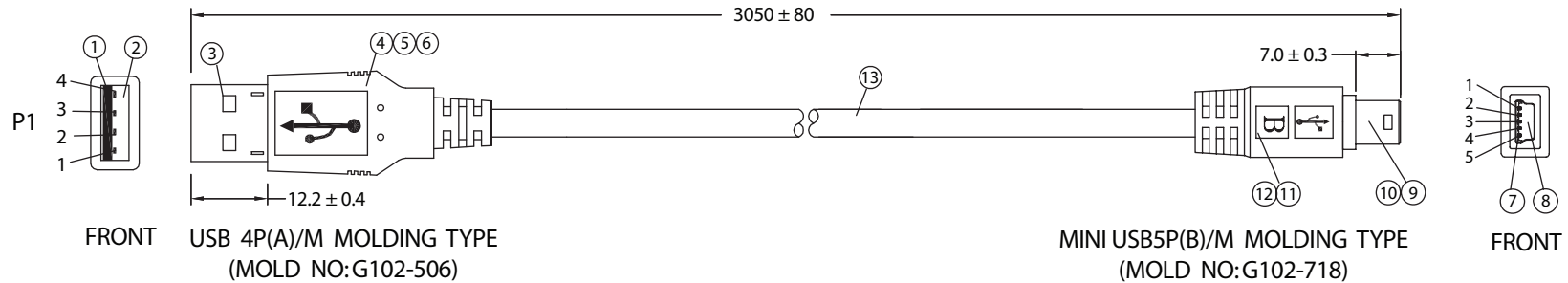


| REVISION |                 |          |          |
|----------|-----------------|----------|----------|
| REV.     | DESCRIPTION     | DATE     | APPROVED |
| A        | Changed Pin Out | 03-12-07 | DP       |



#### NOTES:

- CABLE: UL2725 26/28AWG (28AWGx1P+26AWGx2C+FOIL+DW+BD)x1  
OUTER JACKET: BLACK, OD: 4.2 ± 0.2  
PRINTING: "E166307 AWM 2725 26/28AWG 80°C 30V VW-1 HI-SPEED USB2.0"
- CONNECTORS: USB 4P(A) MALE TO USB MINI 5P(B) MALE
- HOOD: MOLDED TYPE
- ELECTRICAL TEST:  
<1>.100% OPEN SHORT & MISS WIRE TEST  
<2>.INSULATION RESISTANCE: DC400V 10M ohm MIN.  
<3>.CONDUCTOR RESISTANCE: 3 ohm MAX.
- PACKING: 1PC/POLYBAG

| No. | PARTS NAME                    | SPECIFICATION STANDARD              | QTY | REMARKS |
|-----|-------------------------------|-------------------------------------|-----|---------|
| ①   | USB 4P(A)/M - CONTACT         | BRASS / GOLD PLATED (CRIMPING TYPE) | 4   |         |
| ②   | USB 4P(A)/M - INSULATOR       | PBT+G,F/WHITE UL 94V-0              | 1   |         |
| ③   | USB 4P(A)/M - SHELL 1         | STEEL NICKEL PLATED                 | 1   |         |
| ④   | USB 4P(A)/M - SHELL 2         | STEEL NICKEL PLATED                 | 1   |         |
| ⑤   | USB 4P(A)/M - COPPER FOIL     | WIDTH 5xLENGTH 27                   | 1   |         |
| ⑥   | USB 4P(A)/M - OUTER MOLD      | 45P PVC / COLOR: BLACK              | 1   |         |
| ⑦   | MINI USB(B)5P/M - CONTACT     | BRASS / GOLD PLATED SOLDER TYPE     | 5   |         |
| ⑧   | MINI USB(B)5P/M - INSULATOR   | PBT+G,F / BLACK UL 94V-0            | 1   |         |
| ⑨   | MINI USB(B)5P/M - SHELL 1     | SHELL / NICKEL PLATED               | 1   |         |
| ⑩   | MINI USB(B)5P/M - SHELL 2     | SHELL / NICKEL PLATED               | 1   |         |
| ⑪   | MINI USB(B)5P/M - COPPER FOIL | WIDTH 5xLENGTH 27                   | 1   |         |
| ⑫   | MINI USB(B)5P/M - OUTER MOLD  | 45P PVC / COLOR: BLACK              | 1   |         |
| ⑬   | CABLE                         | L01009ABK01A                        | 1   |         |
| ⑭   | MINI TIE                      | PE / BLACK                          | 2   |         |
| ⑮   | POLYBAG                       | PE: 0.08x160x180                    | 1   |         |

| Dim range (mm) | Tolerance +/- (mm) | Qualtek Electronics Corp.<br>WCT DIVISION   |                |                |
|----------------|--------------------|---|----------------|----------------|
|                |                    | Part Number:                                | 3021015-10     |                |
| 0-1            | 0.15               | Description: USB 4P(A)/M - USB MINI 5P(B)/M |                |                |
| 1-6            | 0.20               |   |                |                |
| 6-18           | 0.30               |   |                |                |
| 18-50          | 0.50               |   |                |                |
| 50-120         | 0.70               | Drawn / Date                                | Checked / Date | REV. A         |
| 120-250        | 0.90               | B.Grubb<br>01-26-07                         | 01-26-07       | JJH / 01-26-07 |
| 250-500        | 1.20               |   |                |                |